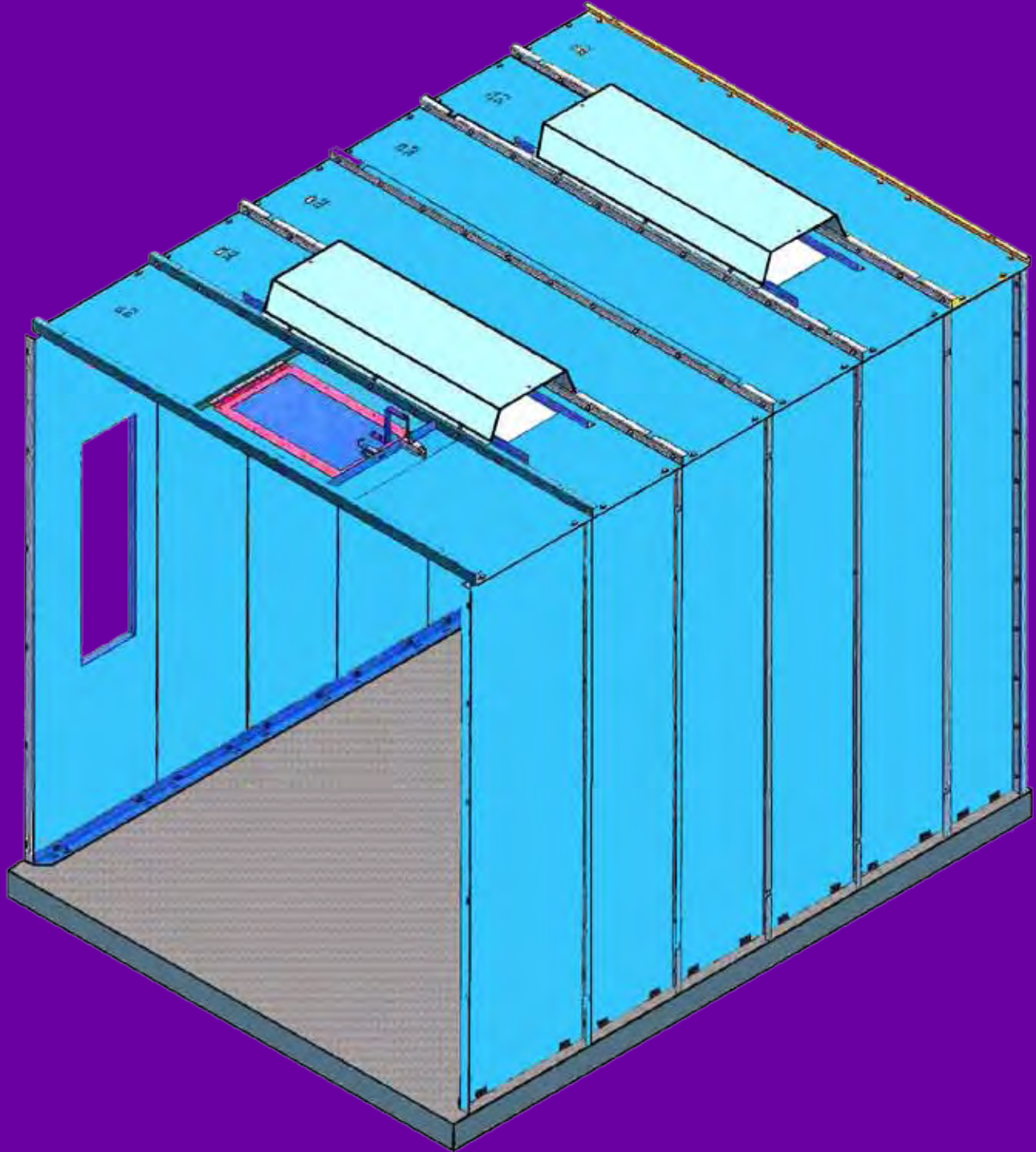




*OPENING QUALITY DOORS  
AROUND THE WORLD*



# **CAR Enclosure Installation Instructions**

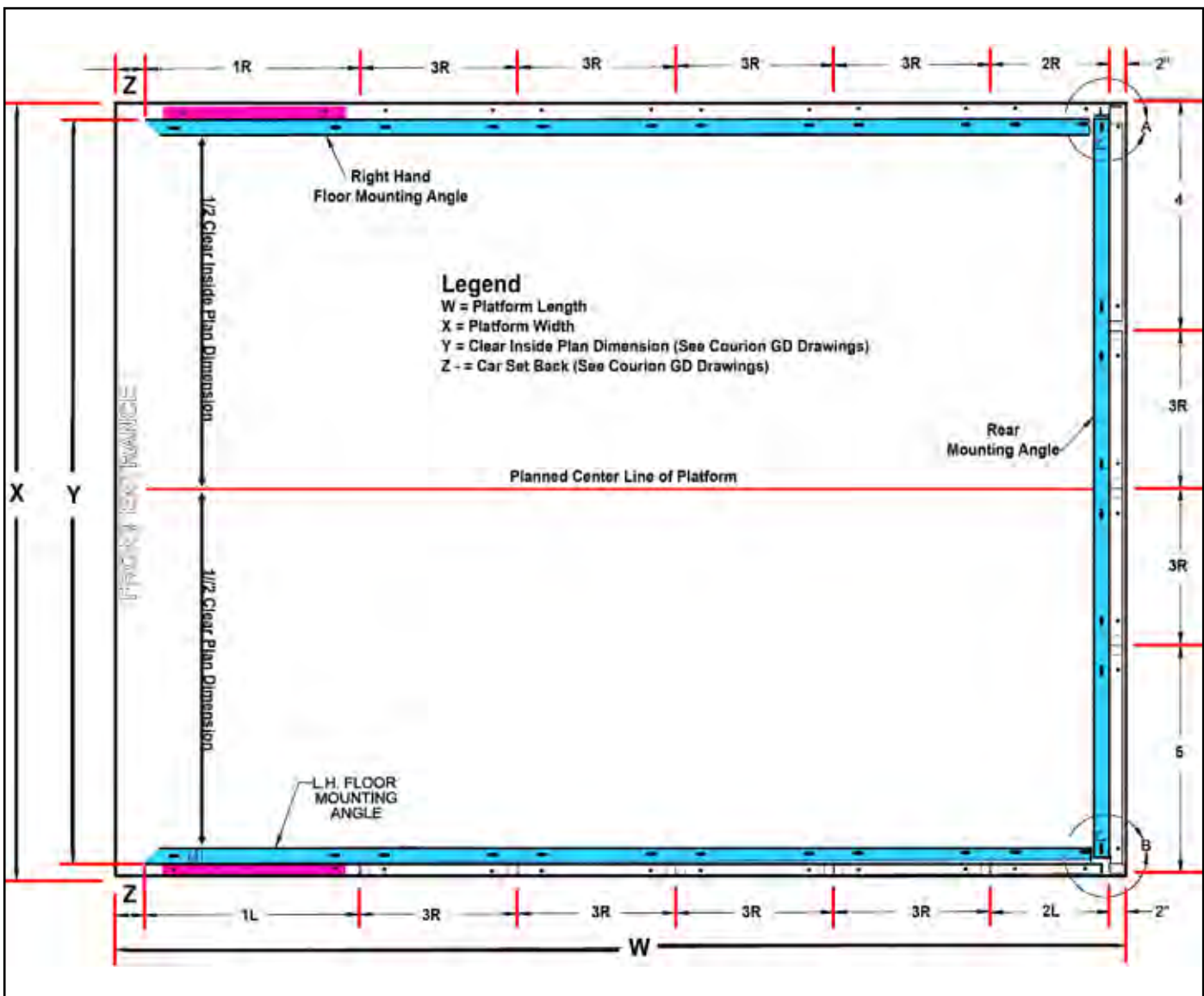
[www.couriondoors.com](http://www.couriondoors.com)

*OPENING QUALITY DOORS AROUND THE WORLD*

## CAR Enclosure Installation Instructions

**General Layout and Panel Marks** - Please refer to COURION's General Dimension Drawings (GD Drawings) provided with these instructions for job specific information. Please pay particular attention to the following items:

- Platform Length (Planned and Actual should be the same)
- Platform Width (Planned and Actual should be the same)
- Clear Inside Plan Width (See Courion GD Drawings)
- Planned Center Line of Platform (using Planned Platform Width)
- Required Wainscot Setback from Platform Edge (on Car Gate Side)
- Required Canopy Setback from Wainscot Edge (on Car Gate Side)
- Wainscot and Canopy Panel Marks (corresponds to identification marks on Courion GD Drawings)

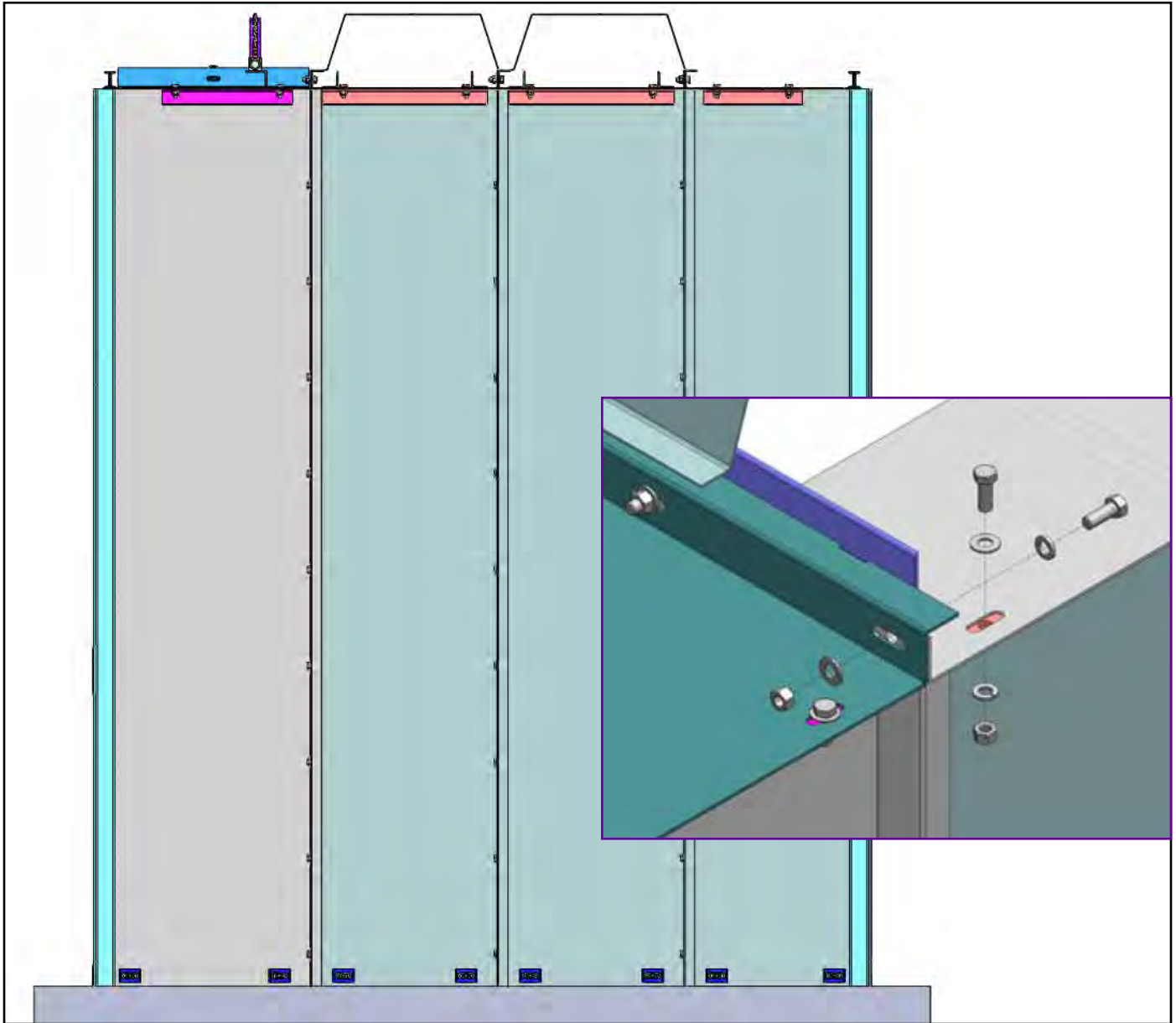


# For Immediate Help Call (314) 533-5700

## CAR Enclosure Installation Instructions

① Starting with the REAR WALL (when applicable), bolt the Wainscot Panels together using the fasteners provided by COURION, and securely brace. As you turn the corner, alternate side Wainscot Panels with Canopy Panels working toward the front of the Car.

- Wainscot Panels and Canopy Panels
- Car Enclosure Hardware Kit (Part #94-000055)



**FRONT and REAR OPENING** - If you have a FRONT and REAR OPENING, start in the CENTER of the Car and work your way to the two Openings.

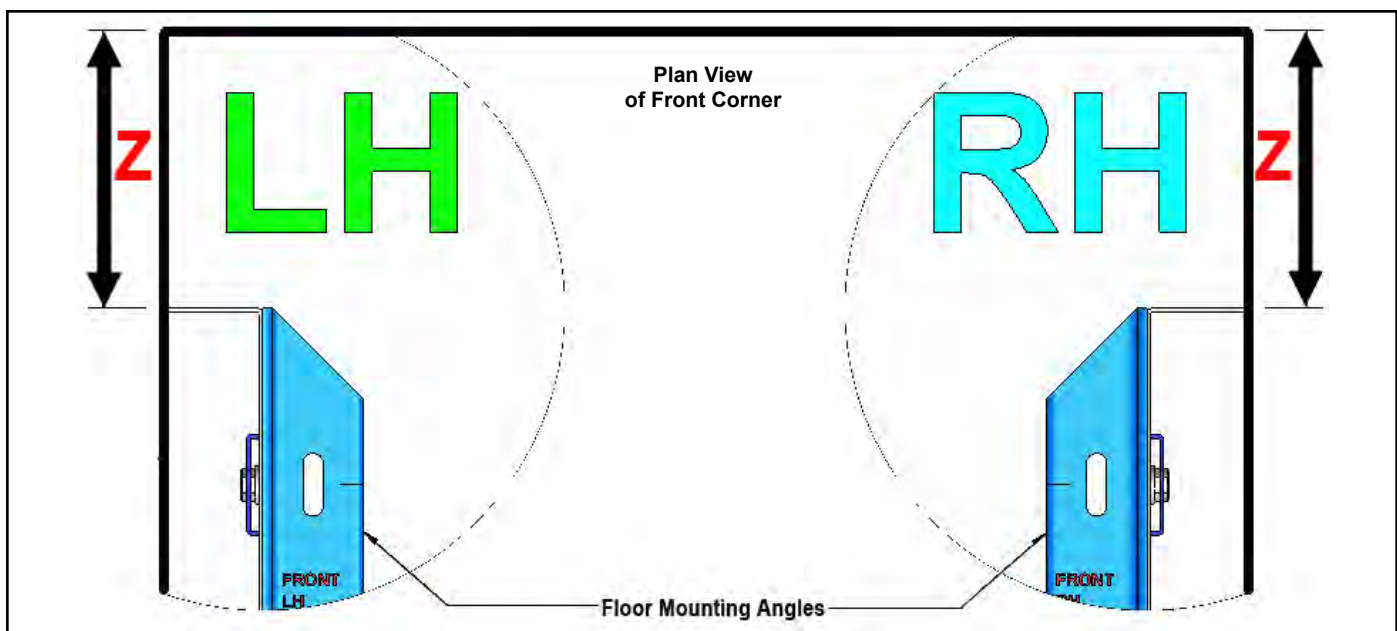
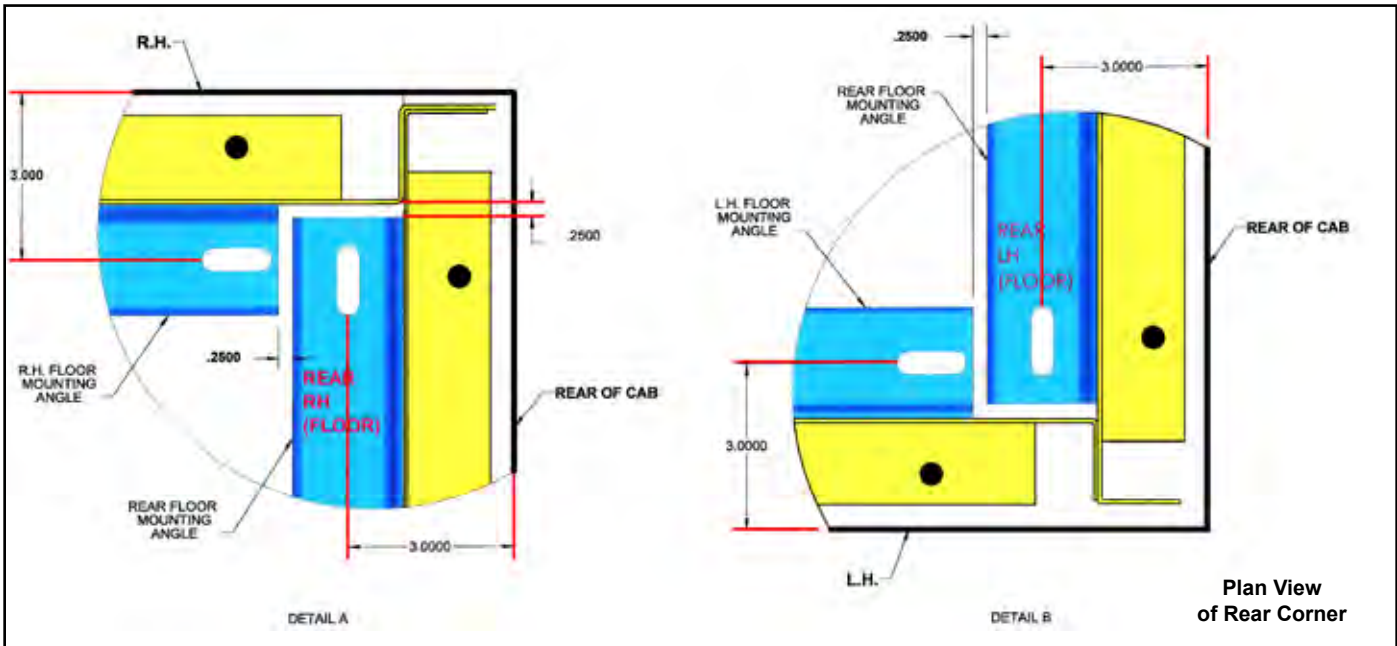


OPENING QUALITY DOORS AROUND THE WORLD

## CAR Enclosure Installation Instructions

② With the Car Enclosure fully assembled and in its proper location, mount the Wainscot Floor Mounting Angles to the Floor of the Platform.

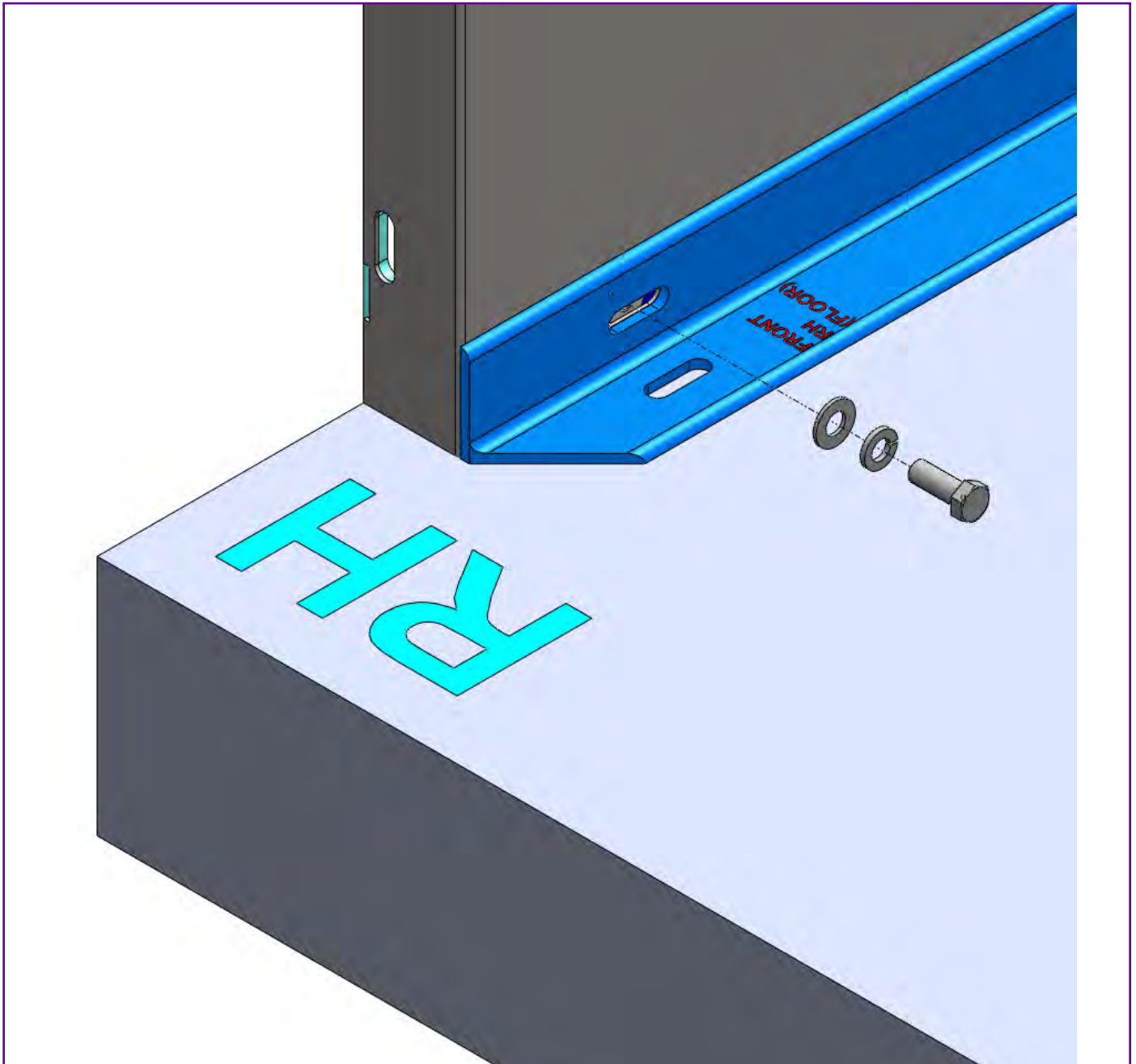
- Wainscot Mounting Angles (Left & Right Hand)
- Car Enclosure Floor Mounting Angle Hardware Kit (Part #94-000054)





### ③ Bolt the Wainscot Panels to the Wainscot Floor Mounting Angles.

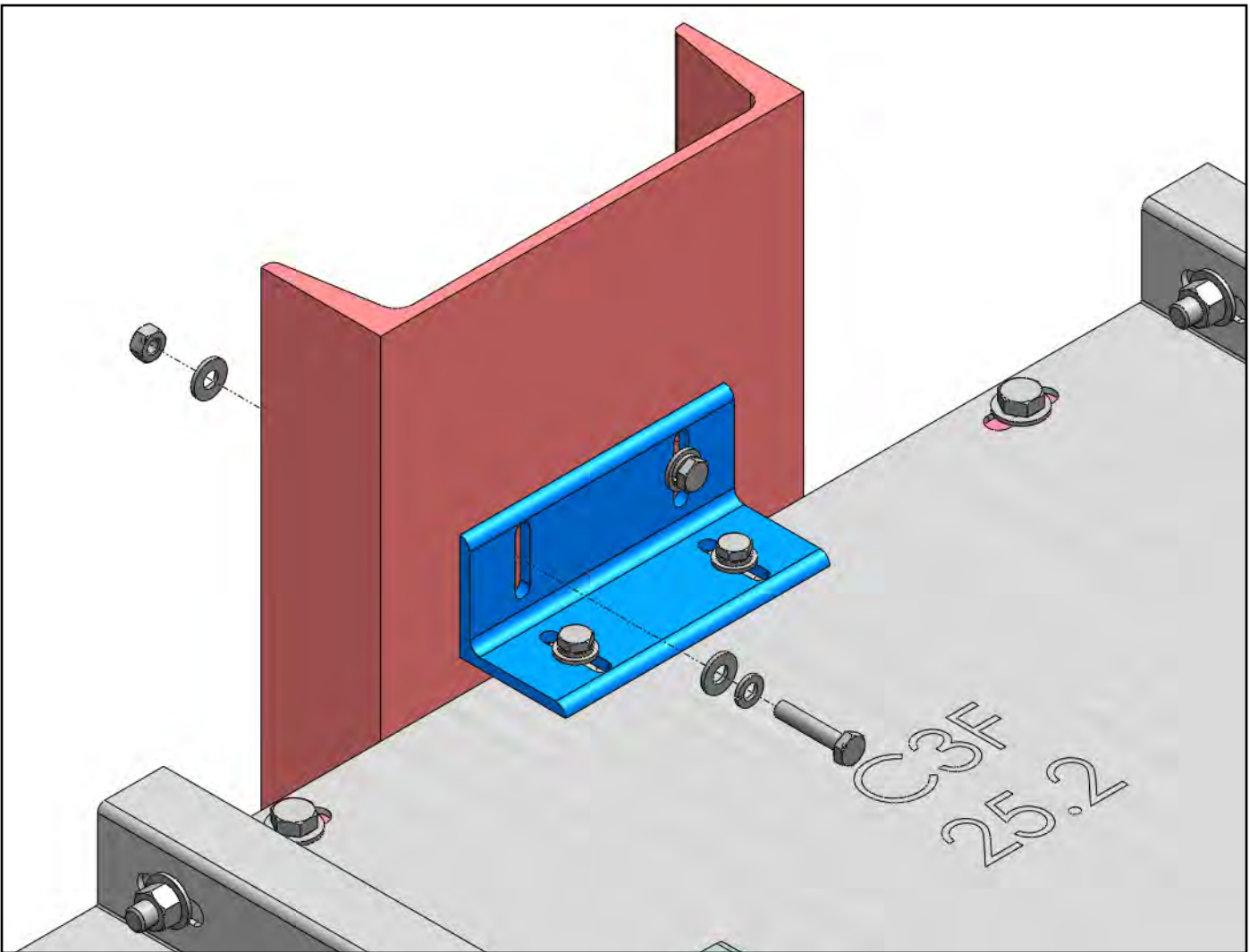
- Wainscot Panels and Canopy Panels
- Car Enclosure Hardware Kit (Part #94-000054)



## CAR Enclosure Installation Instructions

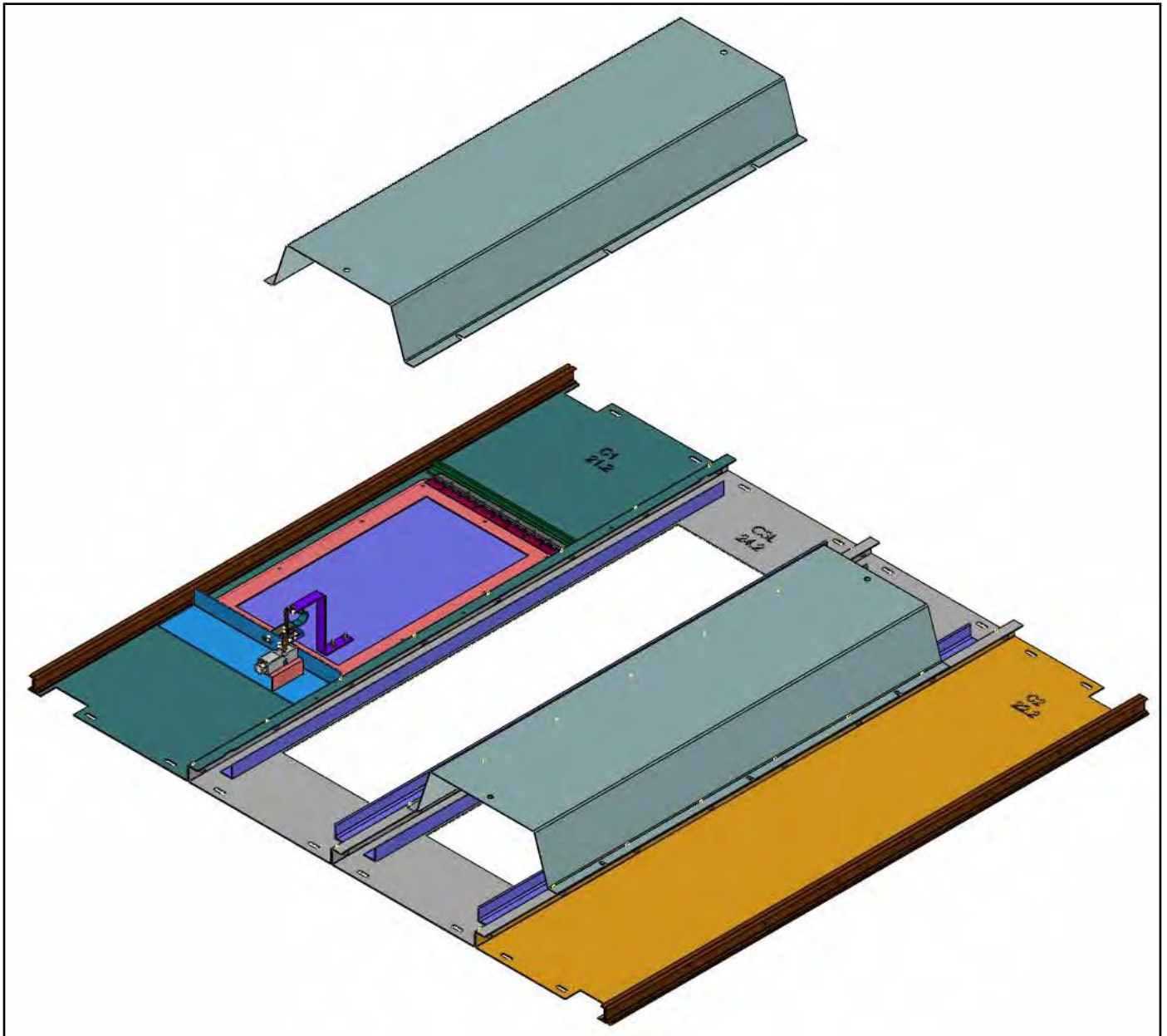
④ When applicable, mount the Car Stabilizer Angles to the Car Enclosure and Platform Sling.

- Car Stabilizer Angles
- Car Stabilizer Angle Hardware Kit (Part #94-000056)



### ⑤ Mount the Light Fixtures and Car Light Guards in the cutouts provided in the Car Enclosure Canopy.

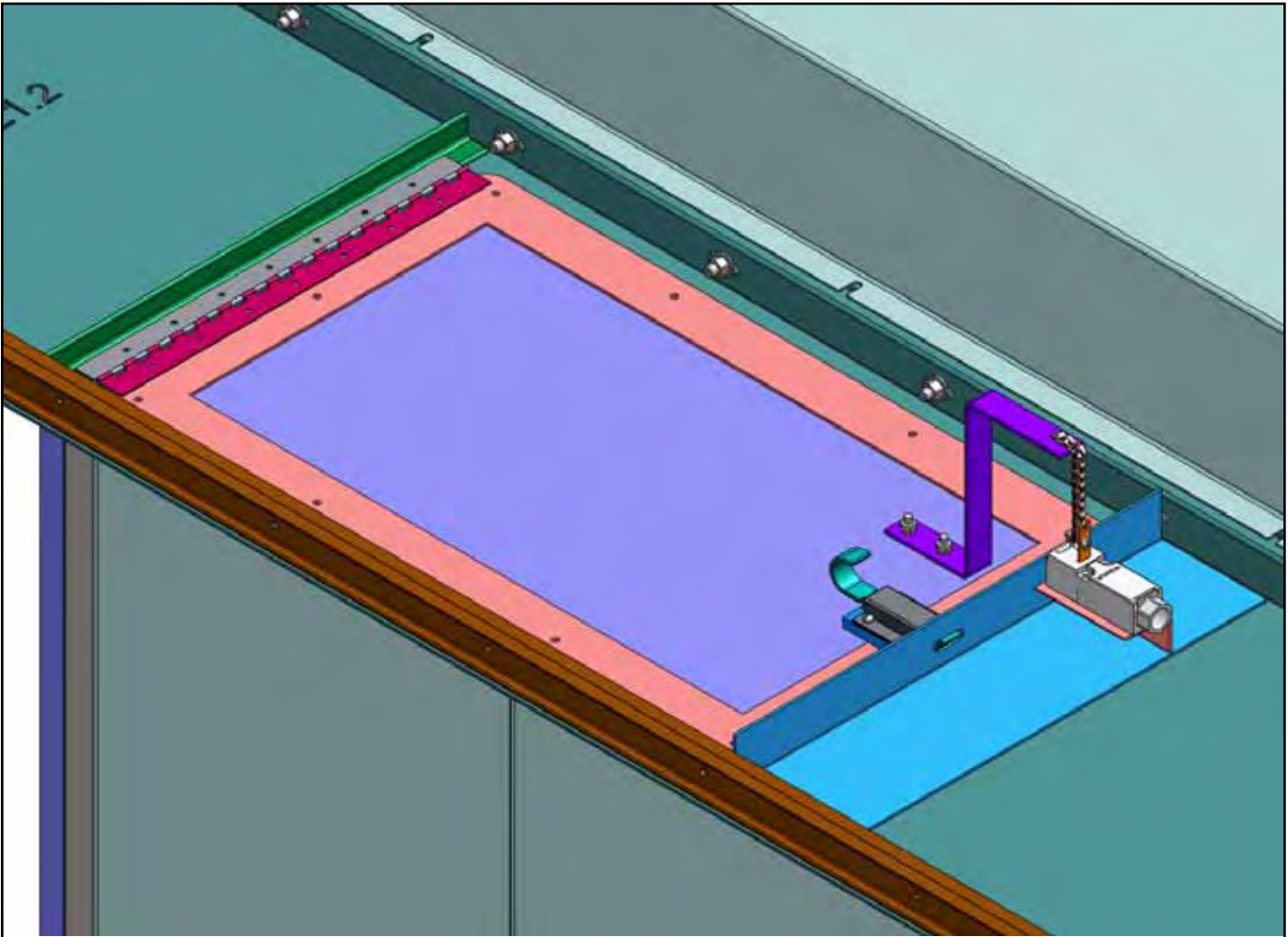
- Light Fixtures
- Car Light Guards
- Car Light Guard Hardware Kit (Part #94-000057)



## CAR Enclosure Installation Instructions

### ⑥ Mount the Emergency Exit Contact to the Safety Access Panel on the Car Canopy.

- Cab Exit Contact Hardware Kit (Part #94-000059)

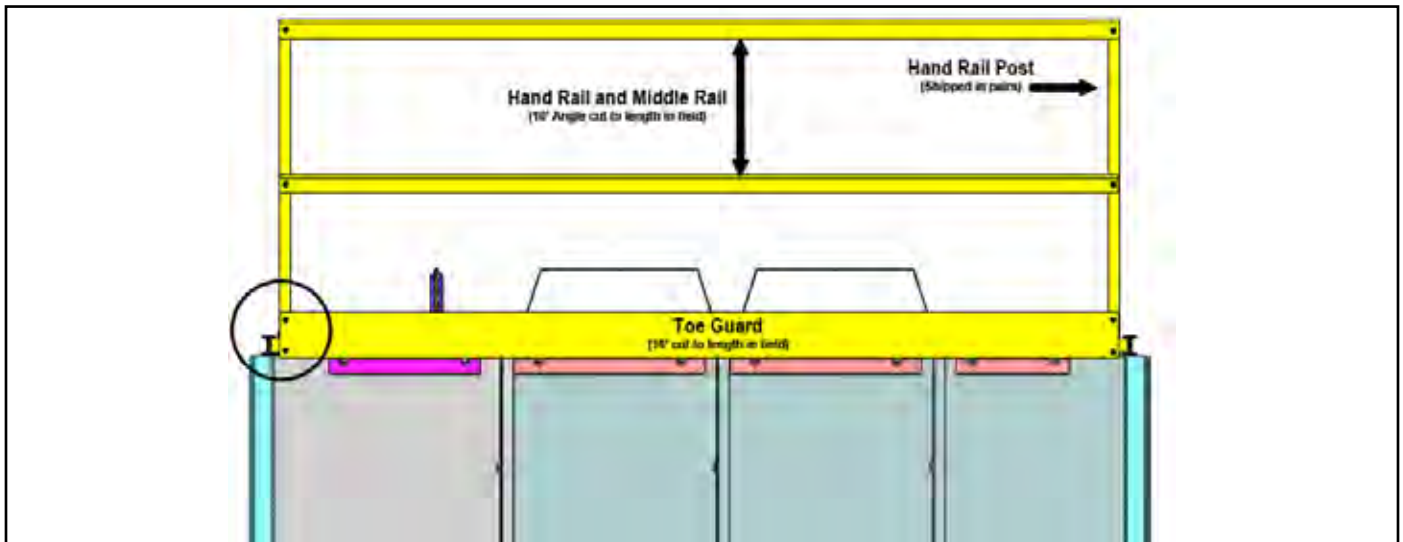




## CAR Enclosure Installation Instructions

⑦ When applicable, mount the Car Top Handrail and Toe Guard to the Car Enclosure Canopy.

- Car Enclosure Hand Rail Hardware Kit #94-000058



- ① Remove the outermost canopy bolt at the location where you want to attach your Hand Rail Post. Hand Rail Posts should be mounted every 4' to 5'.
- ② Slide the Hand Rail Post into the Canopy Panel's flange and secure the Hand Rail Post with the fasteners found in the Hand Rail Hardware Kit. **NOTE:** You will have to drill a 7/16" hole in the Canopy Flange for the Hand Rail Posts to be mounted across the back of the Car Enclosure.
- ③ Cut to length and attach the Hand Rail, Center Rail, and Toe Guard to the Hand Rail Posts using the pre-drilled holes in the Hand Rail Posts and fasteners found in the Hand Rail Hardware Kit #94-000058.





**3044 Lambdin Avenue  
St. Louis, Mo 63115  
(800) 533-5760 or (314) 533-5700  
(314) 533-5720 (fax)  
sales@couriondoors.com**

*OPENING QUALITY DOORS AROUND THE WORLD*