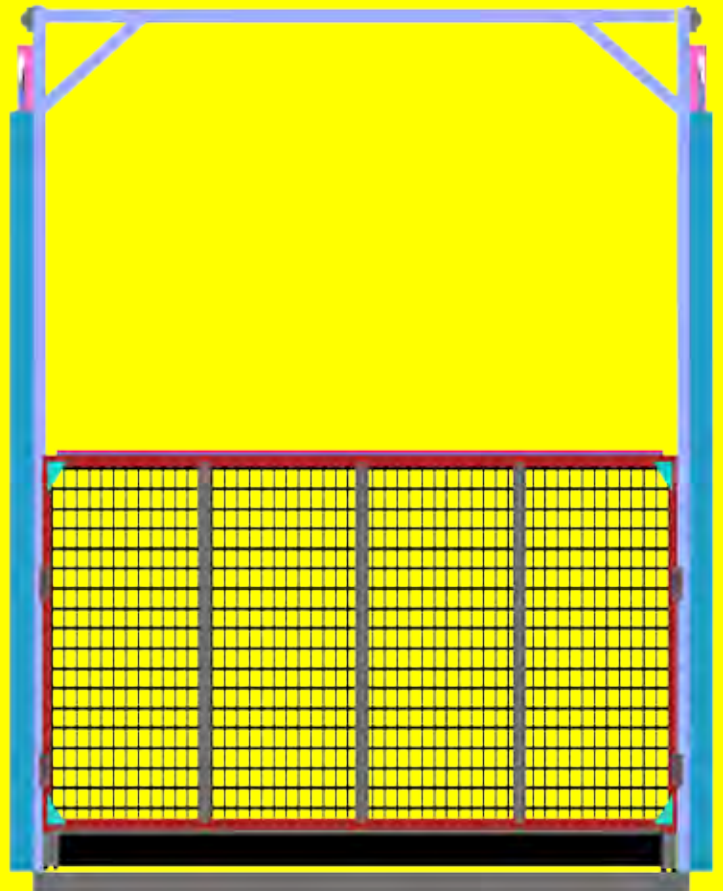
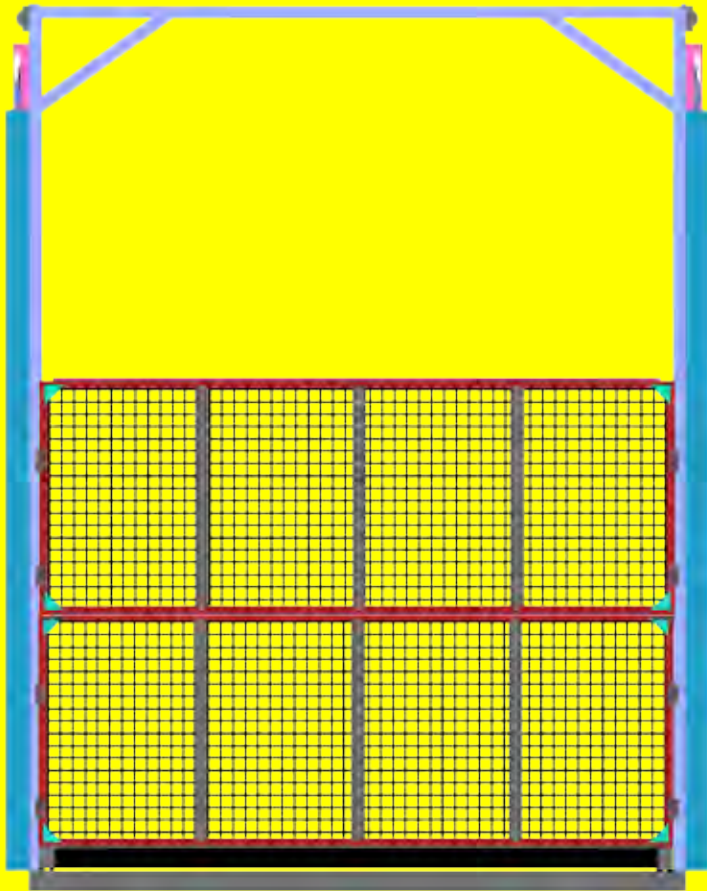




***THE NEXT GENERATION OF
FREIGHT ELEVATOR DOORS***



**Car Gate - D Style
Installation Instructions**
Single Section and 2 Section

CAR GATE - D Style

TABLE OF CONTENTS

Check Car Enclosure Set Back	3
Step ❶: Gate Guides	5
Step ❷: Cross Angle	6
Step ❸: Knee Braces	7
Step ❹: Single Section Gate Panel	8
Step ❺: Single Section Gate Chains	9
Step ❻: 2-Section Gate Panel	10
Step ❼: 2-Section Gate Chains	11
Step ❽: Weight Box Covers	11
Step ❾: Car Gate Contact	12
Step ❿: Final Adjustment	14
Step ⓫: Angle Braces	14
Step ⓬: Web Straps	14
Step ⓭: Retiring Cam	14

THE INFORMATION CONTAINED IN THIS DOCUMENT IS THE EXCLUSIVE PROPERTY OF COMPREHENSIVE MANUFACTURING SERVICES, LLC. d/b/a COURION. ANY REPRODUCTION OR DISSEMINATION OF THE CONTENTS, DESIGNS OR IDEAS CONTAINED HEREIN IS HEREBY PROHIBITED.

© COURION 2012

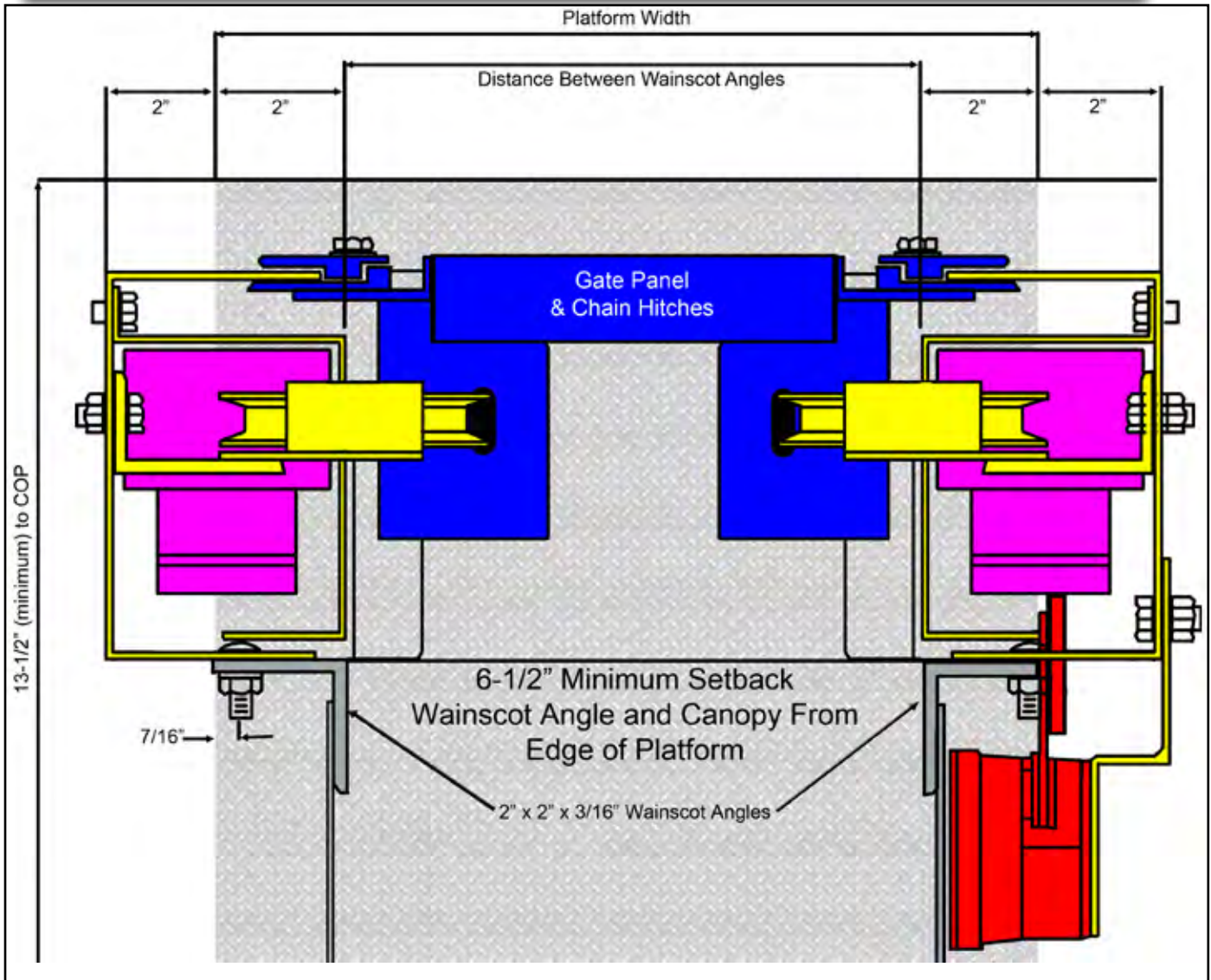


OPENING QUALITY DOORS AROUND THE WORLD

For Immediate Help Call 1-314-533-5700

CAR GATE - D Style

Check Car Enclosure Set Back - Using the Approved General Design Drawings provided by COURION, insure that the Car Enclosure (Wainscot Angles and Canopy) are properly set back from the edge of the Platform.



Single Section Manual Gate - D Style

**Minimum Set Back: Wainscot Angles and Car Top = 6-1/2" (165mm)
and 13-1/2" (343mm) for COP**

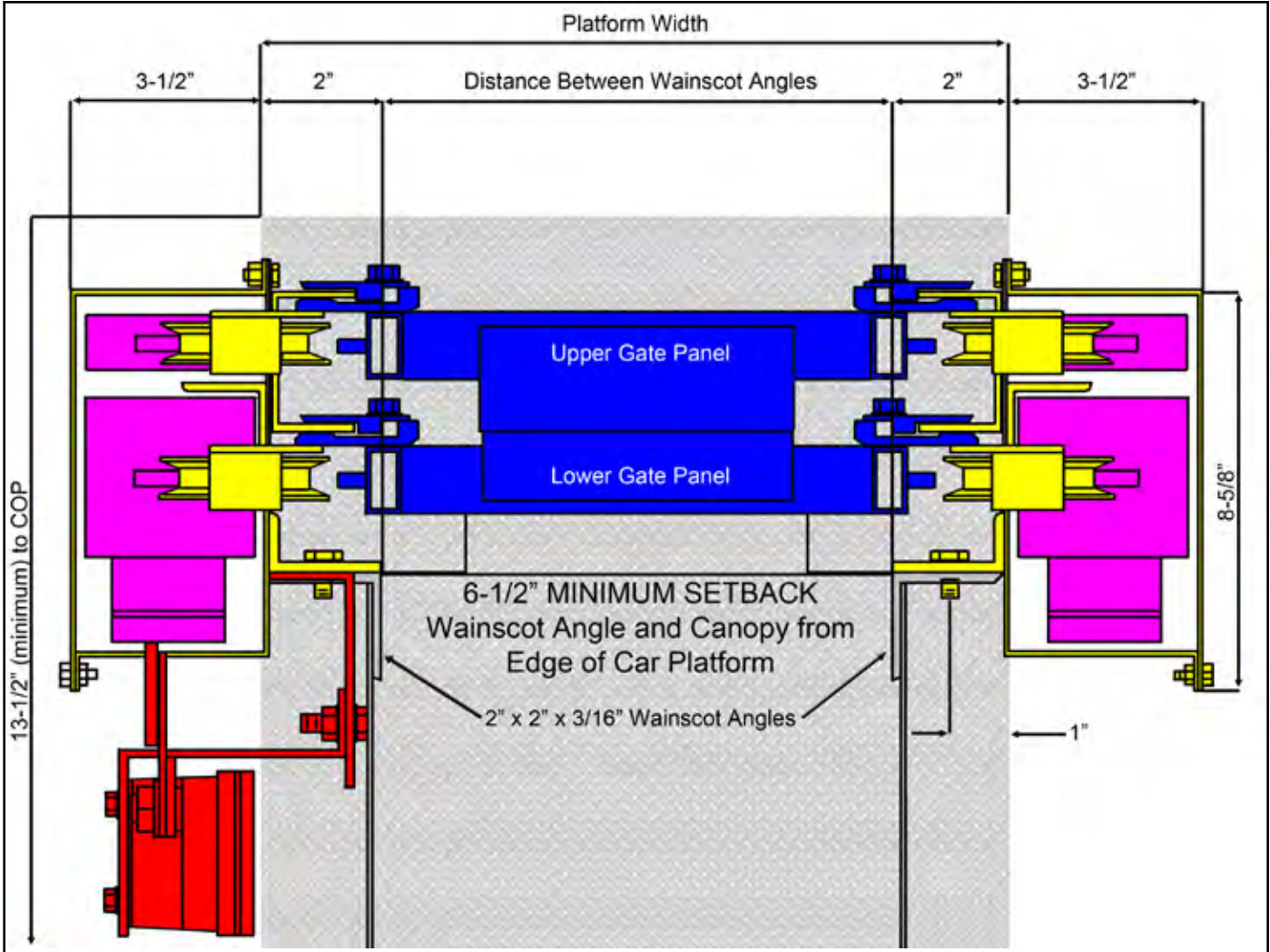
If your actual CAR SET BACK does not meet these minimum requirements, stop and call Courion immediately at (800) 533-5760 or (314) 533-5700.



OPENING QUALITY DOORS AROUND THE WORLD

For Immediate Help Call 1-800-533-5760

CAR GATE - D Style



2-Section Manual Gate - D Style

**Minimum Set Back: Wainscot Angles and Car Top = 6-1/2" (165mm)
and 13-1/2" (343mm) for COP**

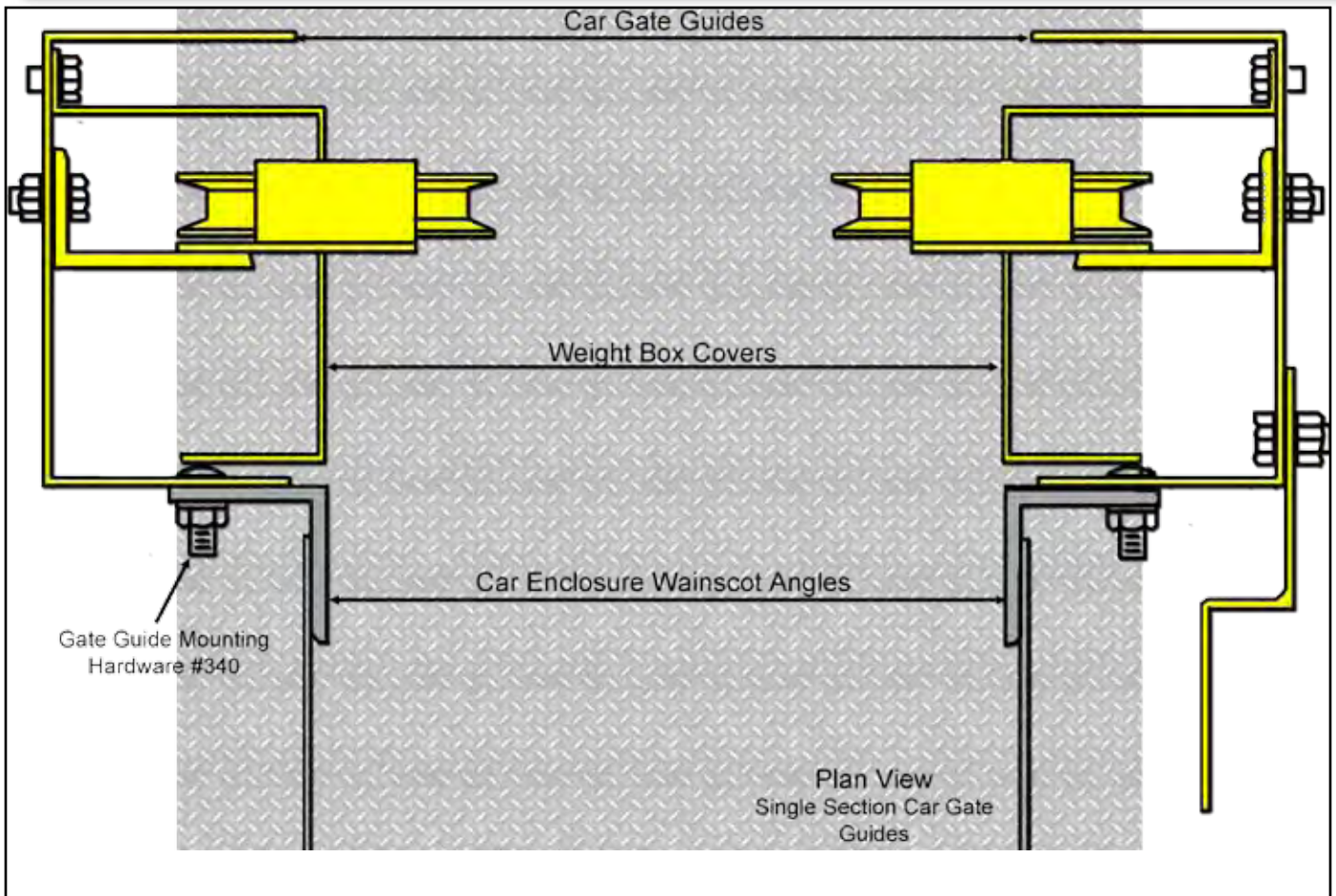
If your actual CAR SET BACK does not meet these minimum requirements, stop and call Courion immediately at (800) 533-5760 or (314) 533-5700.



OPENING QUALITY DOORS AROUND THE WORLD

1 With the **WEIGHT BOX COVERS** removed from the Car Gate Guide Posts, attach the **CAR GATE GUIDES** to the Car Enclosure Wainscot Angles. Hand Tighten Fasteners

- (1 pr) Gate Guides (Left and Right Hand)
- (1) Gate Guide Hardware Kit #340 (Part #94-000340)



Gate Guide Hole Pattern (Typical)			
Hole Size (diameter)	First Hole from Platform	Distance on Center	From Outside Edge
13/32 (10mm)	3" (76mm)	18" (457mm)	7/16" (11mm)

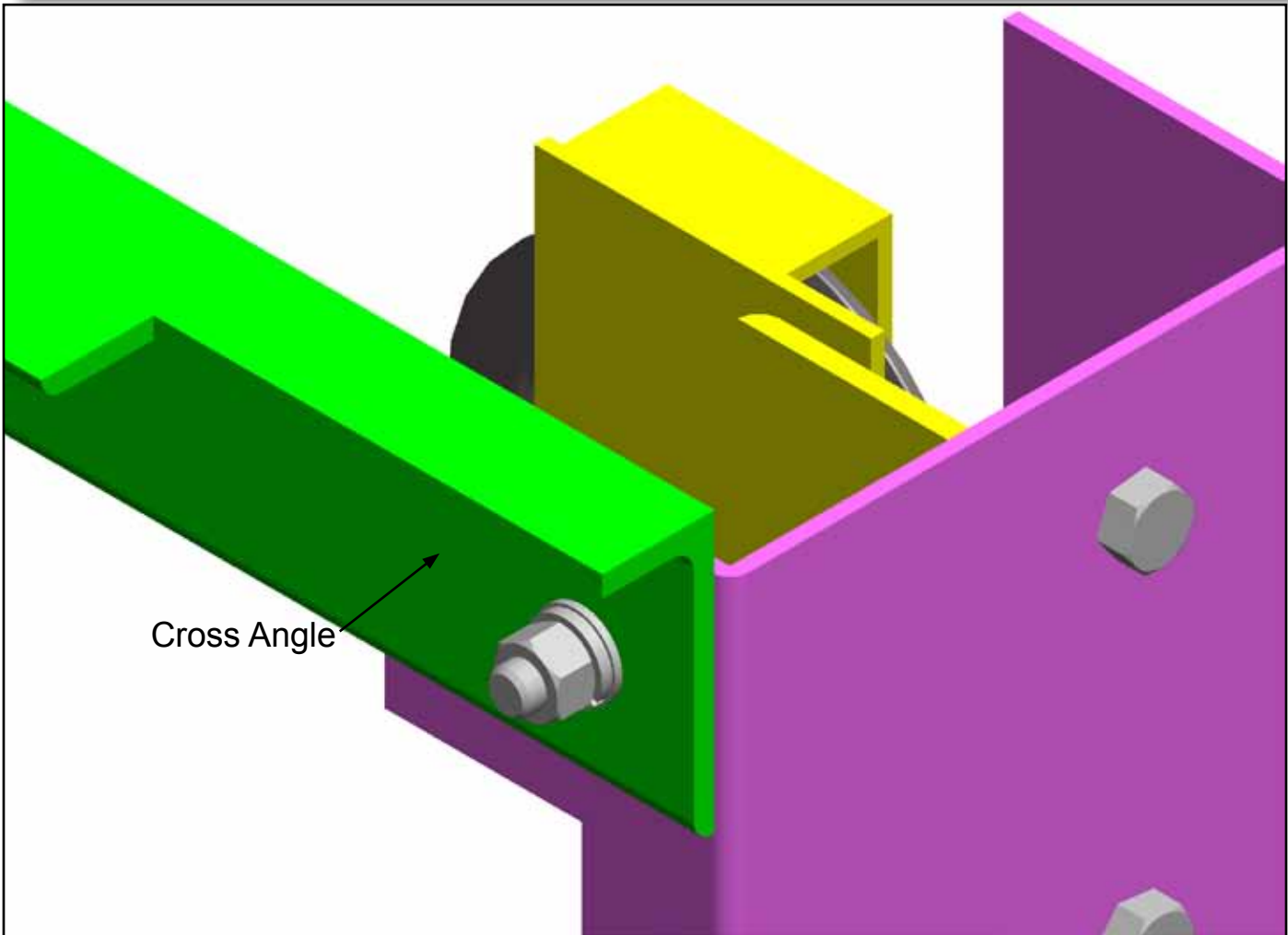
If you did not purchase the Car Enclosure from Courion, you may have to drill the Gate Guide mounting holes in the Car Wainscot Angle. With the Gate Guide resting on the Car Platform, use the Gate Guide as a template to mark and drill the necessary mounting holes.



CAR GATE - D Style

2 Attach the **CROSS ANGLE** to the Car Gate Guides. Hand Tighten Fasteners.

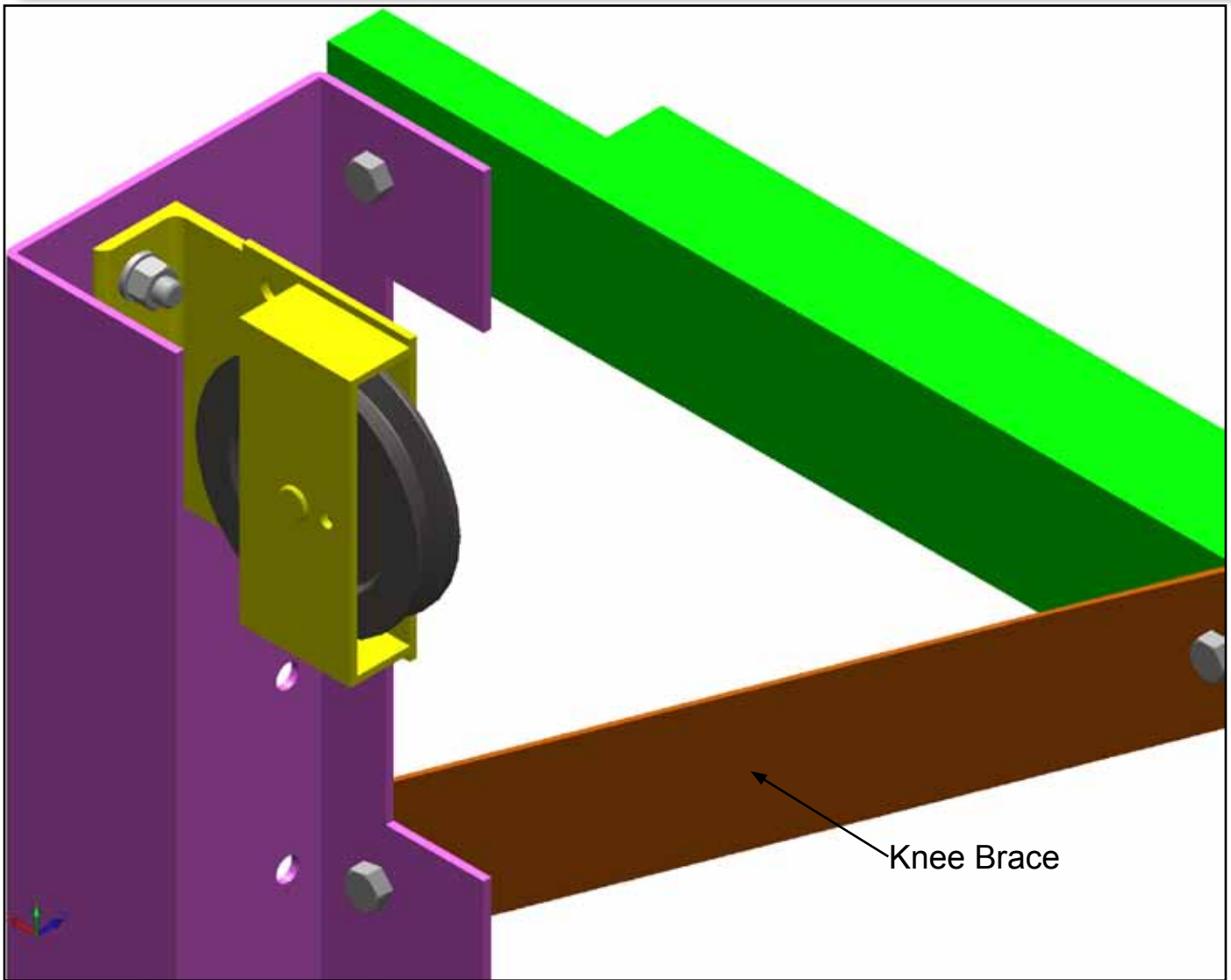
- (1) Cross Angle (Length varies by Job)
- (1) Bracing Hardware Kit (Part #94-000090)



Once the Gate Guides and Cross Angle are in place, check the Distance Between the Guides (DBG) at the TOP, MIDDLE, and BOTTOM of the Car Enclosure to insure the proper distance between the Guides as shown on DRAWING CG-1. The DBG should not vary by more than 1/8" (3mm) from top to bottom. When the Gate Guides are true and plumb, tighten all fasteners.

3 Attach the **KNEE BRACES** on each side of the Cross Angle.

- (2) Knee Braces
- (1) Gate Hardware Kit #90 (Part # 94-000090)

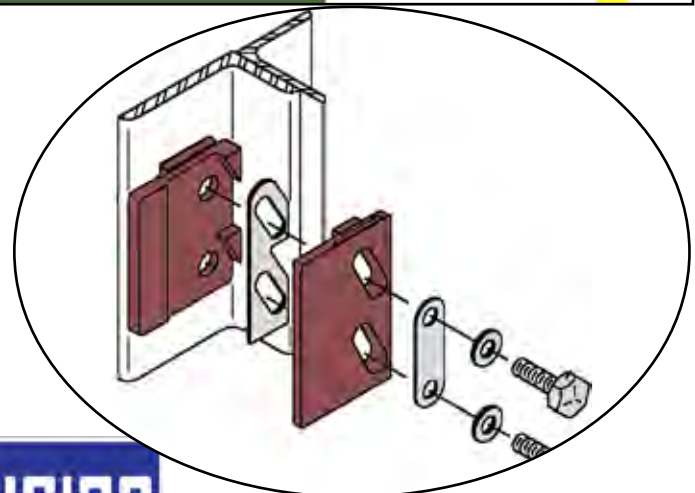
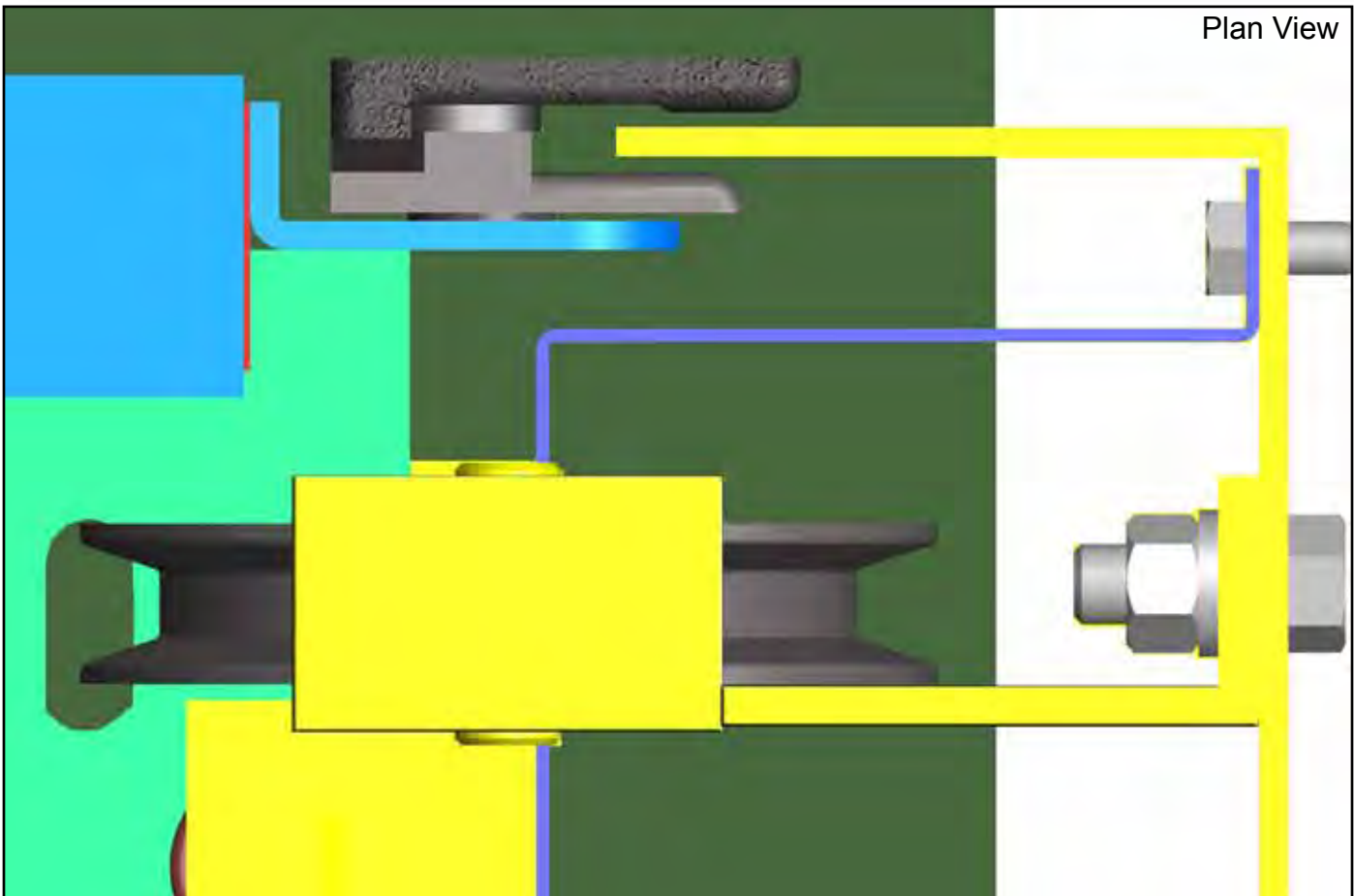


For Immediate Help Call 1-800-533-5760

CAR GATE - D Style

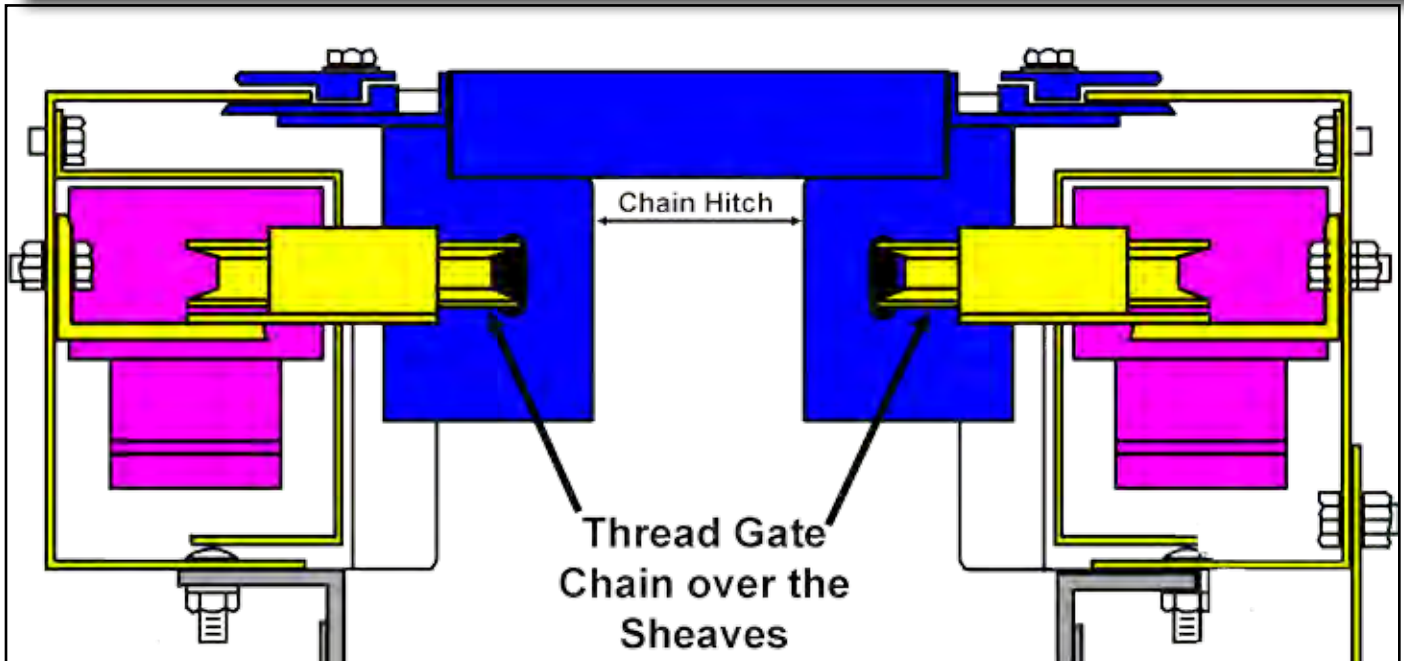
4 SINGLE SECTION GATE PANEL - Fit the **GATE PANEL** between the Car Gate Guides and attach the **CAR GATE SHOES**.

- (1) Gate Panel
- (4) Car Gate Shoes

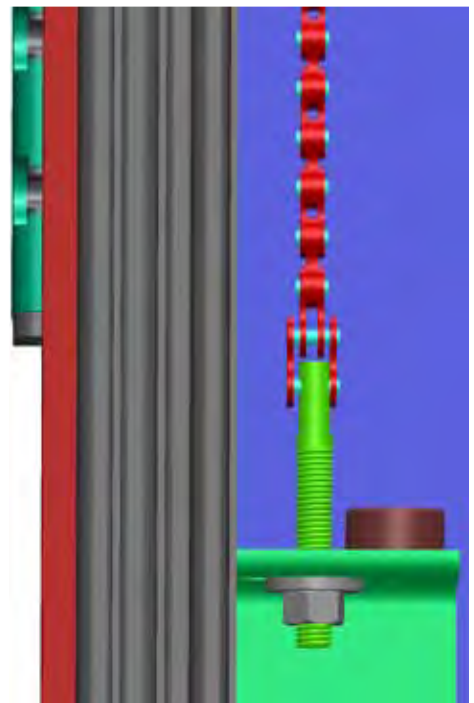


5 SINGLE SECTION GATE - Thread the **GATE CHAIN** through the Car Gate Panel chain hitch, up over the Gate Sheave and attach to the **GATE COUNTERWEIGHT**.

- (1 pr) Gate Chains
- (1 pr) Gate Counterweights
- (4) #41 Chain Links



The Gate Counterweight should be approximately 6-7/8" (175mm) from the Top of the Car Gate Guide when the Gate Panel is in the FULL CLOSE position. Cut the Gate Chain as required. Repeat on opposite side. Adjust the Gate Chains using the Chain Bolts to relieve the weight of the Gate Counterweight from the Counterweight Props.



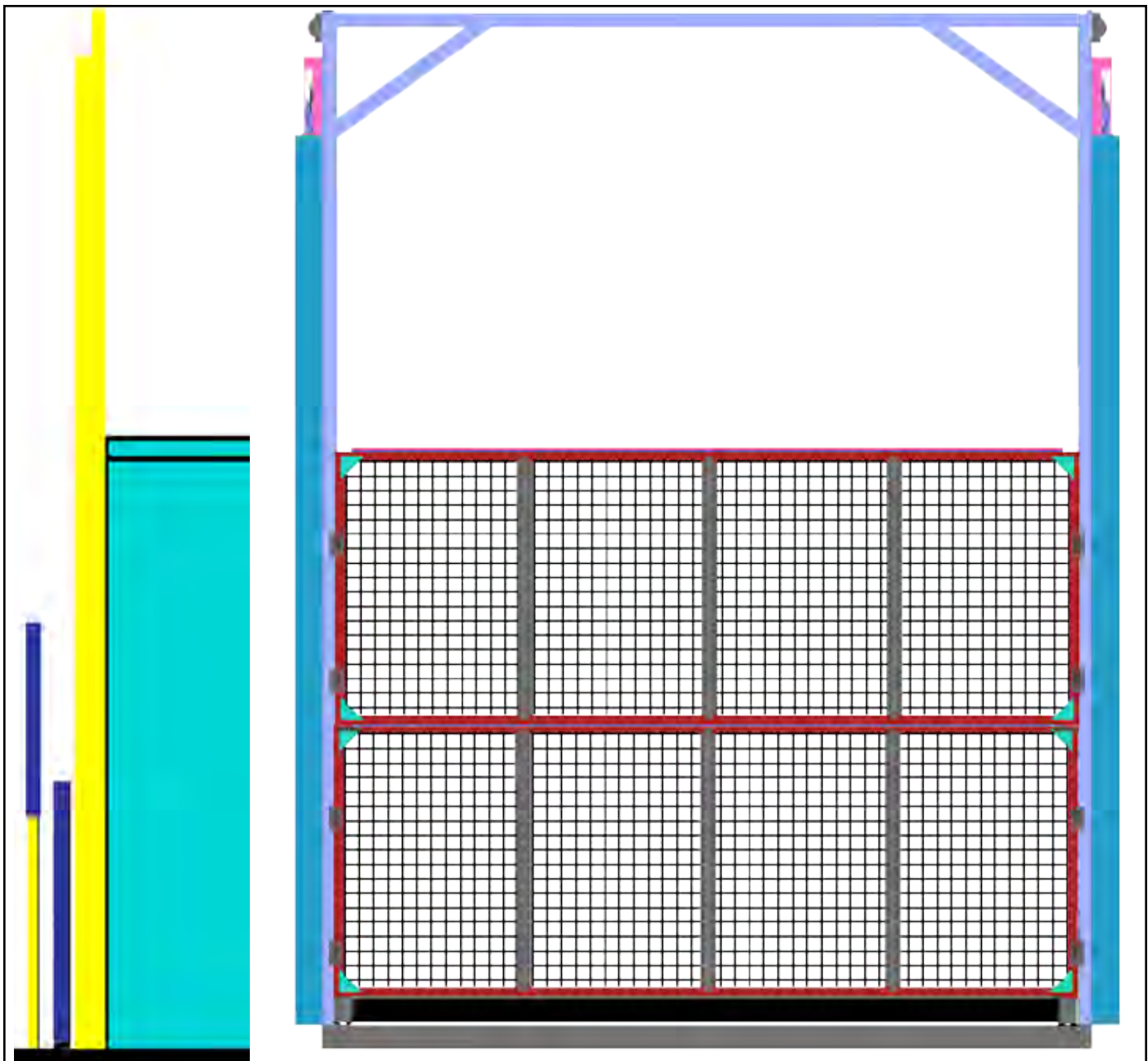
For Immediate Help Call 1-800-533-5760

CAR GATE - D Style

4 **2-SECTION GATE PANEL** - Fit the **UPPER GATE PANEL** (Slow Panel) between the Car Gate Guides and rest on the Guide Stops. Fit the **LOWER GATE PANEL** (Fast Panel) between the Car Gate Guides and rest on the Car Platform. **DO NOT** attach the **CAR GATE SHOES**.

(1) Upper Gate Panel (Slow Panel)

(1) Lower Gate Panel (Fast Panel)



Side View

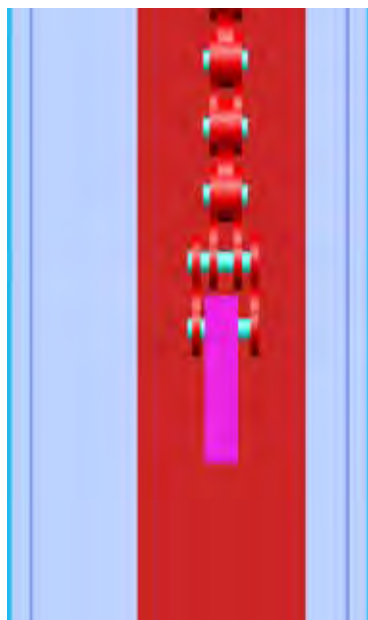
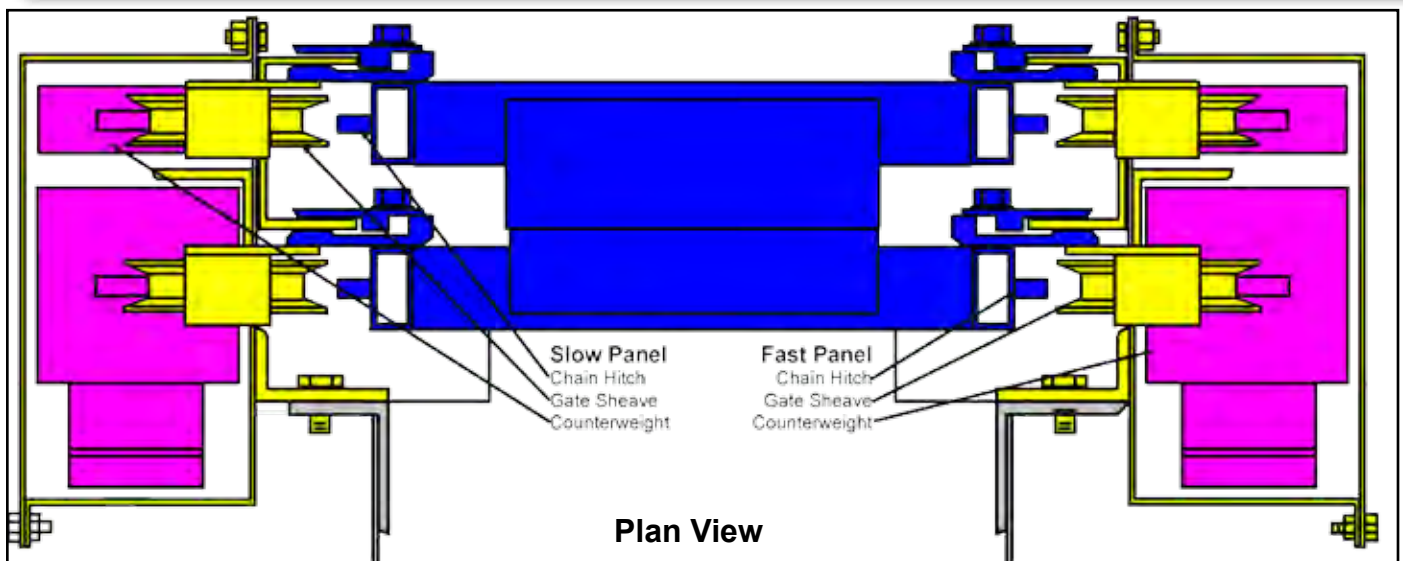
Front View



OPENING QUALITY DOORS AROUND THE WORLD

5 **2-SECTION GATE** - Attach the **FAST GATE CHAIN** to the Lower (FAST) Gate Panel chain hitch. Thread the FAST Gate Chain over the Gate Sheave and attach to the **FAST COUNTERWEIGHT**. Attach the **SLOW GATE CHAIN** to the Upper (SLOW) Gate Panel chain hitch. Thread the SLOW Gate Chain over the Gate Sheave and attach to the **SLOW COUNTERWEIGHT**. Attach the Car Gate Shoes to the Upper (Slow) and Lower (Fast) Gate Panels.

- (2 pr) Gate Chains (Fast and Slow)
- (2 pr) Gate Counterweights (Fast and Slow)
- (8) #41 Chain Links



2-Section Gate Chain Hitch

The FAST and SLOW Gate Counterweights should be approximately 8" (200mm) from the Top of the Car Gate Guide when the Gate Panels are in the FULL CLOSE position. Cut the Gate Chain as required. Repeat on opposite side.

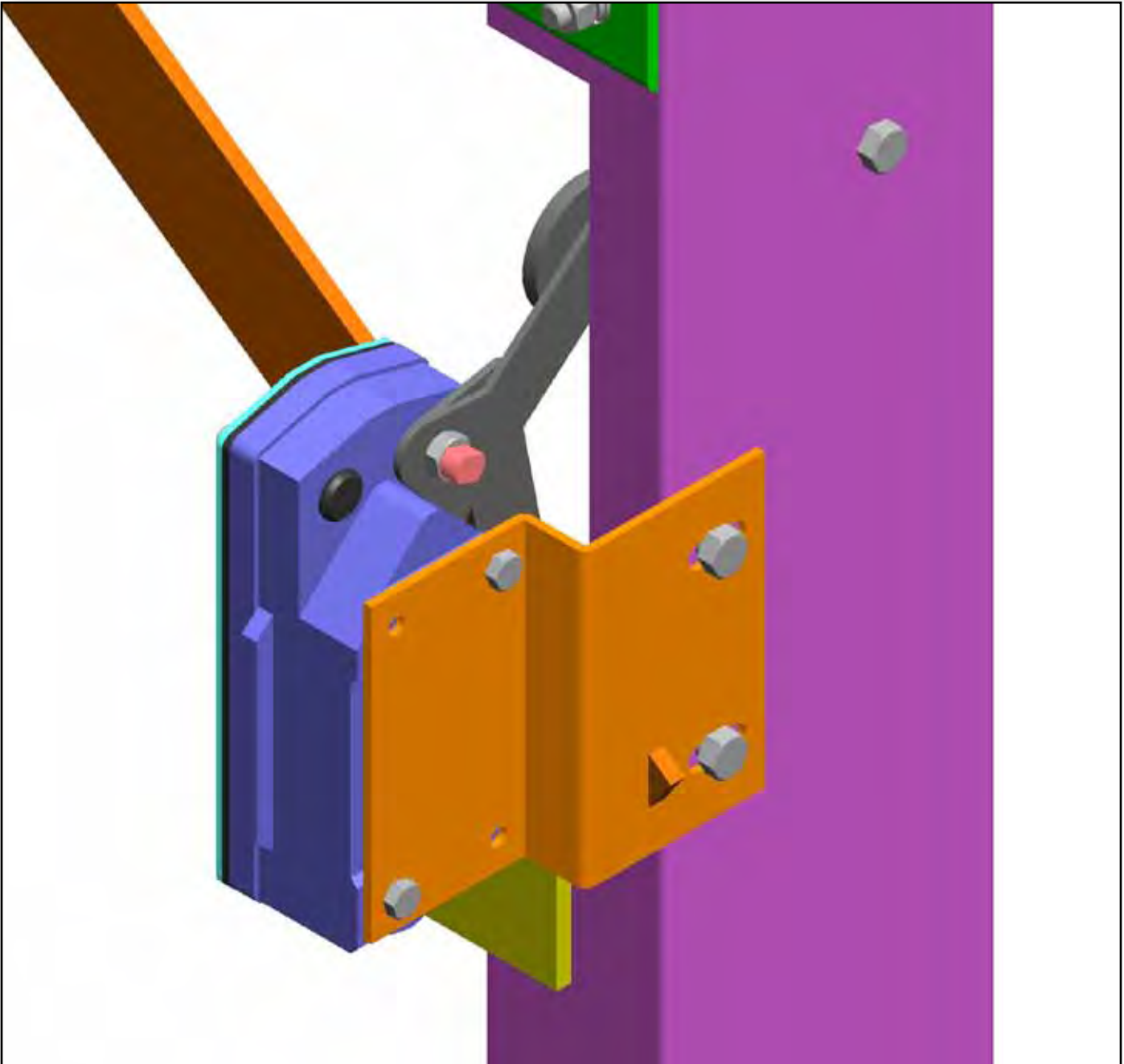
6 Re-attach the WEIGHT BOX COVERS over the Gate Counterweights.



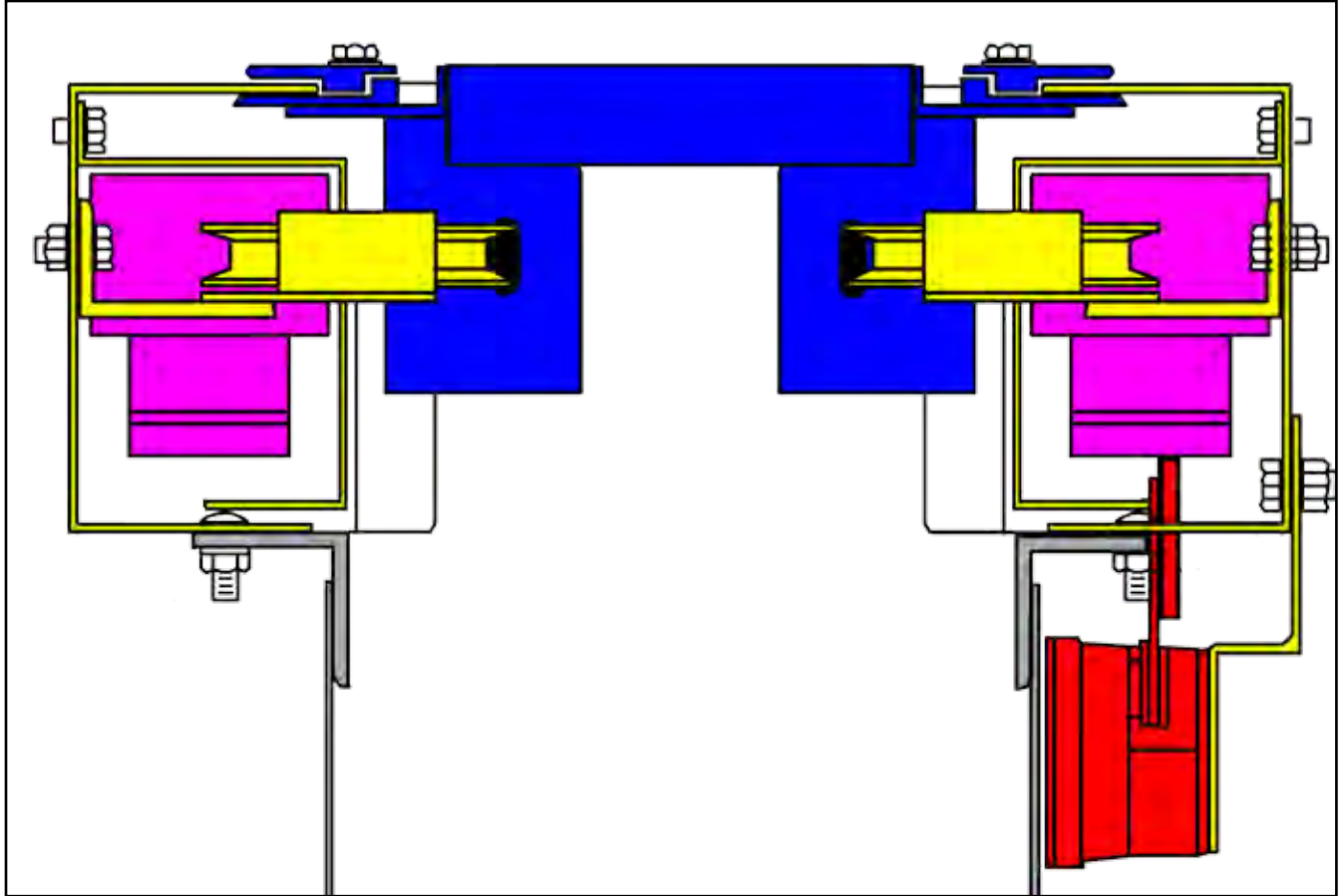
CAR GATE - D Style

7 Attach the CAR GATE CONTACT to the Car Gate Guide. Please refer to COURION's General Design Drawings for the proper side to mount the Car Gate Contact.

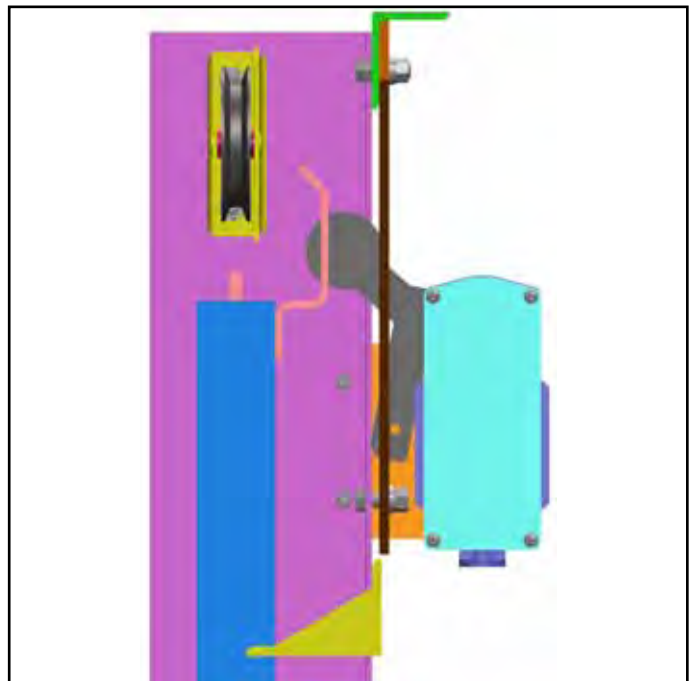
- (1) Car Gate Contact
- (1) Car Gate Contact Hardware Kit #80 (Part#94-000080)



CAR GATE - D Style



Adjust the horizontal position of the Car Gate Contact and the vertical position of the Car Gate Counterweight to provide the normal actuation of the Car Gate Contact when the Gate is in the FULL CLOSE position.



For Immediate Help Call 1-800-533-5760

CAR GATE - D Style

- 8 Manually operate the Car Gate through full travel (FULL OPEN and FULL CLOSE). Adjust the Car Gate Guide Shoes for smooth operation of the Car Gate.
- 9 Cut the **ANGLE BRACES** as required and attach to the Car Gate Guides and the Elevator Cross Heads to provide support.
- 10 Attach the **WEB STRAPS** to the Gate Panel.
- 11 If you have a **RETIRING CAM**, please proceed to the Retiring Cam Installation Manual.

For Immediate Help Call 1-314-533-5700

CAR GATE - D Style



OPENING QUALITY DOORS AROUND THE WORLD



***THE NEXT GENERATION OF
FREIGHT ELEVATOR DOORS***

www.couriondoors.com

3044 Lambdin Avenue
St. Louis, Missouri 63115
(314) 533-5700 or (800) 533-5760
(314) 533-5720 (fax)
sales@couriondoors.com